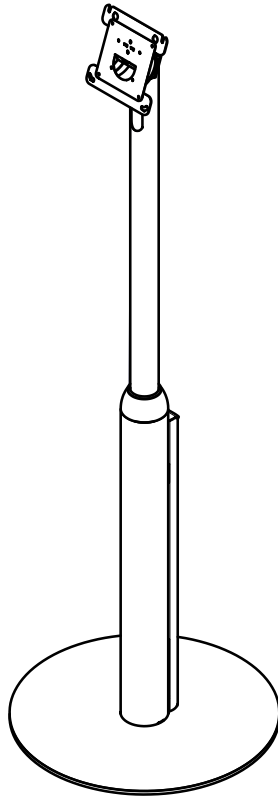


# Installation Guide

## SPV1402

### Height adjustable Floor stand





## CAUTION

This product is intended for indoor use only.

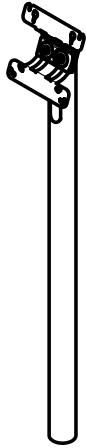
If these installation instructions are not followed correctly, it could lead to product failure and potential personal injury.

Ergonomic Solutions/SpacePole cannot be held responsible for any failure or injury, if the installation instructions are not followed correctly.

Take special care to avoid injury when you loosen the hand screws, as the top pole will come down if not held in place.

Floor mounting of the Floor stand is recommended if operated with a heavy or large screen or placed where traffic is to be expected. When anchoring the Floor stand make sure to use appropriate anchoring solution

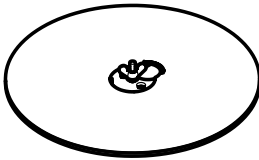
Box content



x1(A)



x1(B)



x1(C)



x1(D)

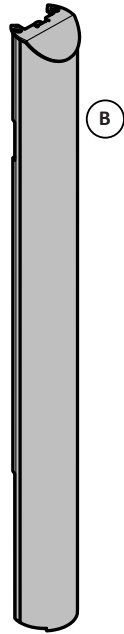
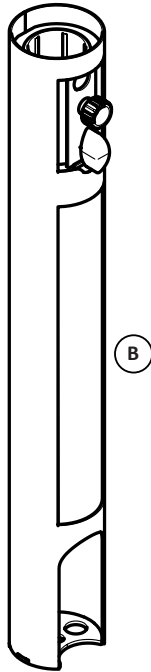


x1(E)

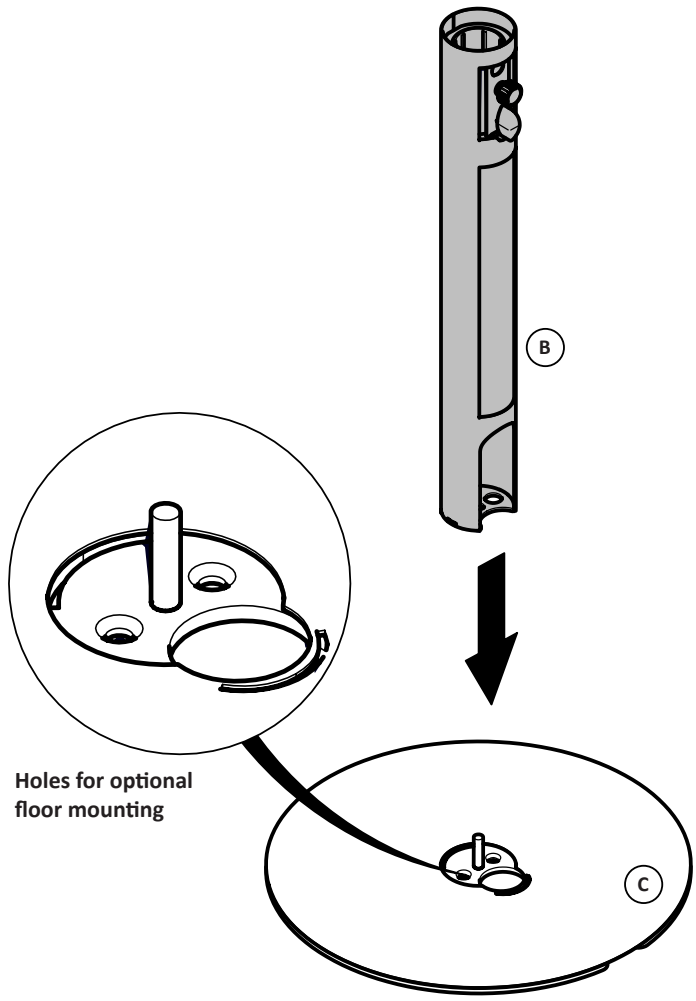


x4 (M4x4)

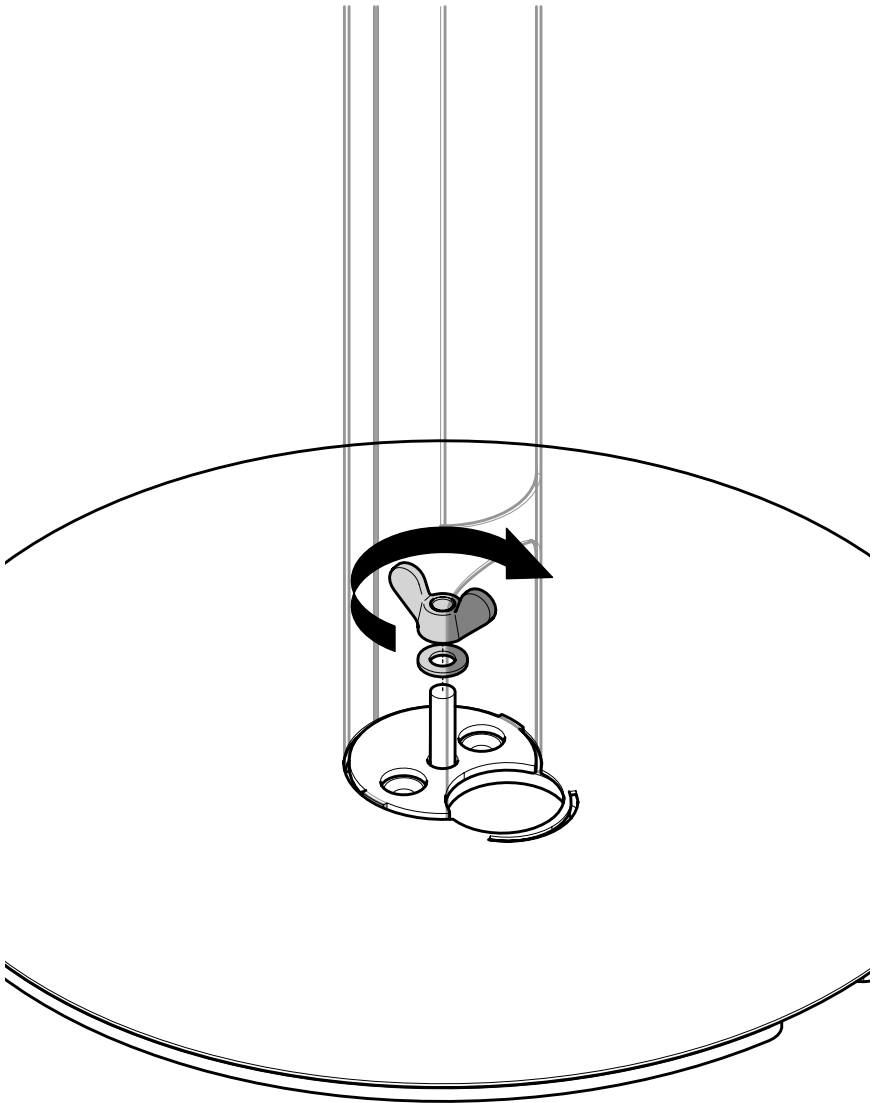
1 Remove cover



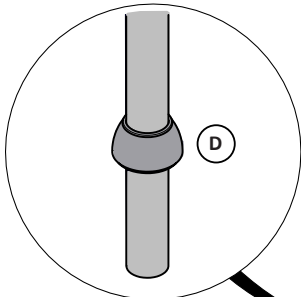
2 Place Basepole(B) on the Base(C)



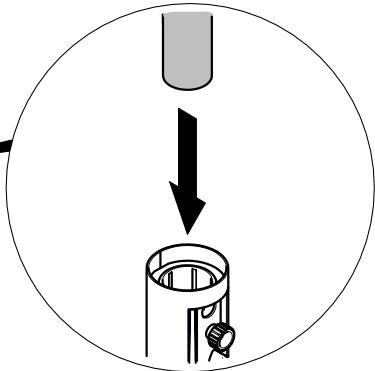
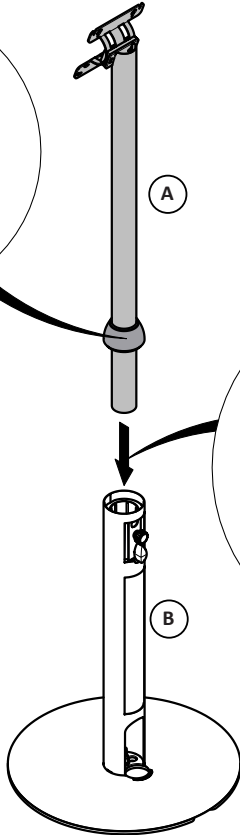
**3** - Secure Basepole (B)



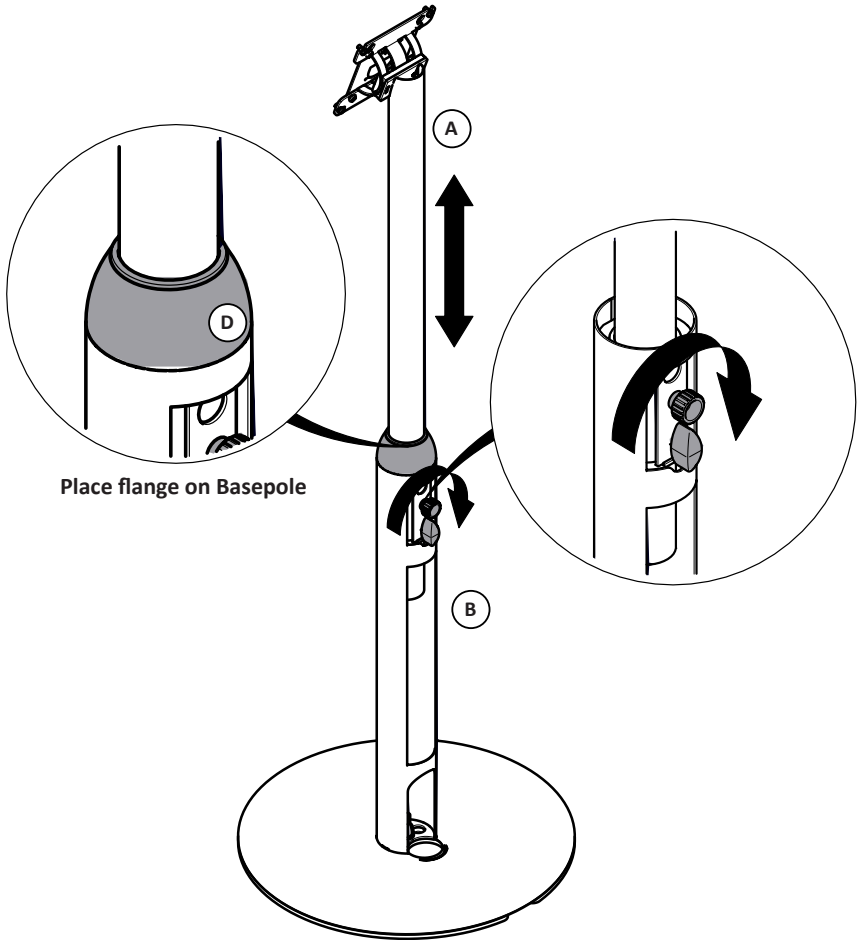
**4** Mount Pole(A) inside Basepole(B)



Mount flange on pole before assembly

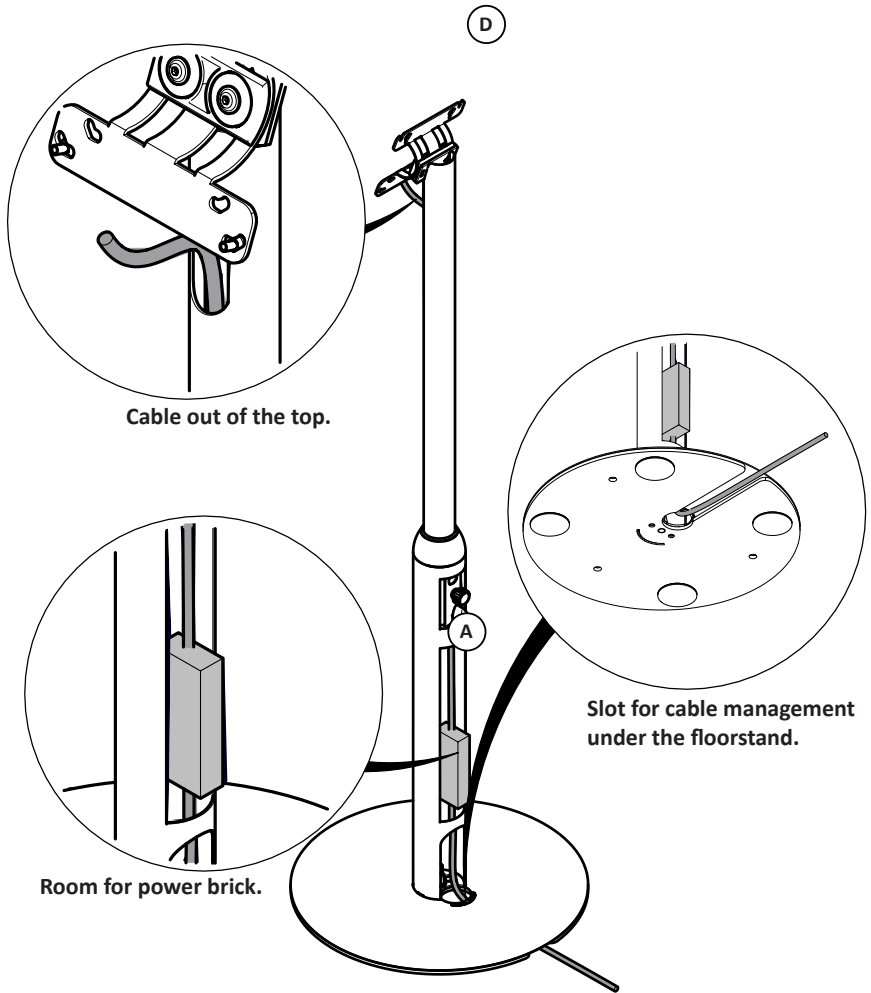


**5** Adjust the pole(A) to desired height and secure





**6** Run cables and place power brick

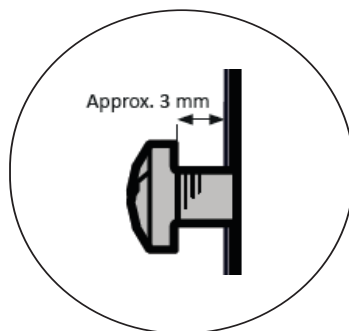
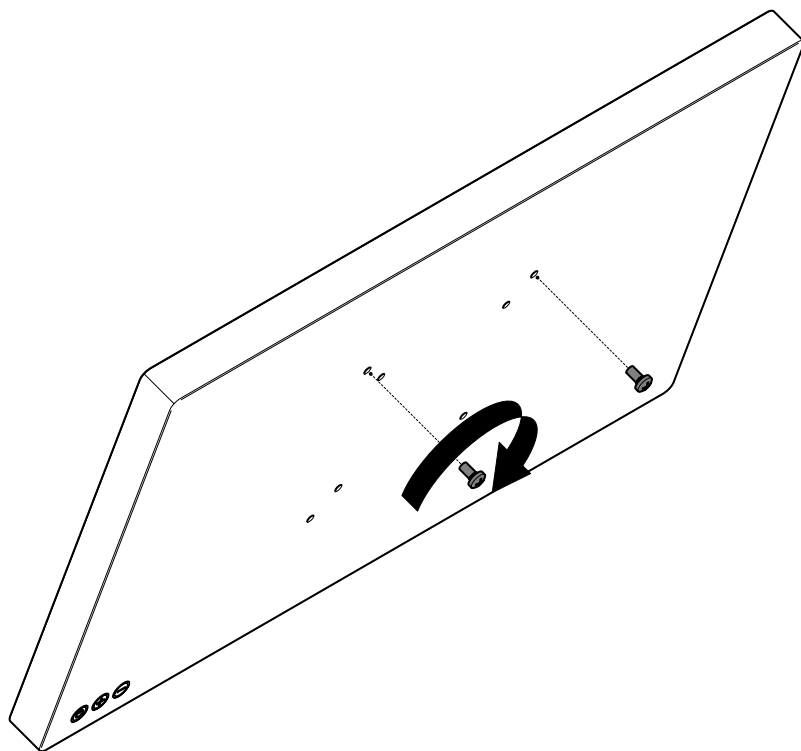


Cable out of the top.

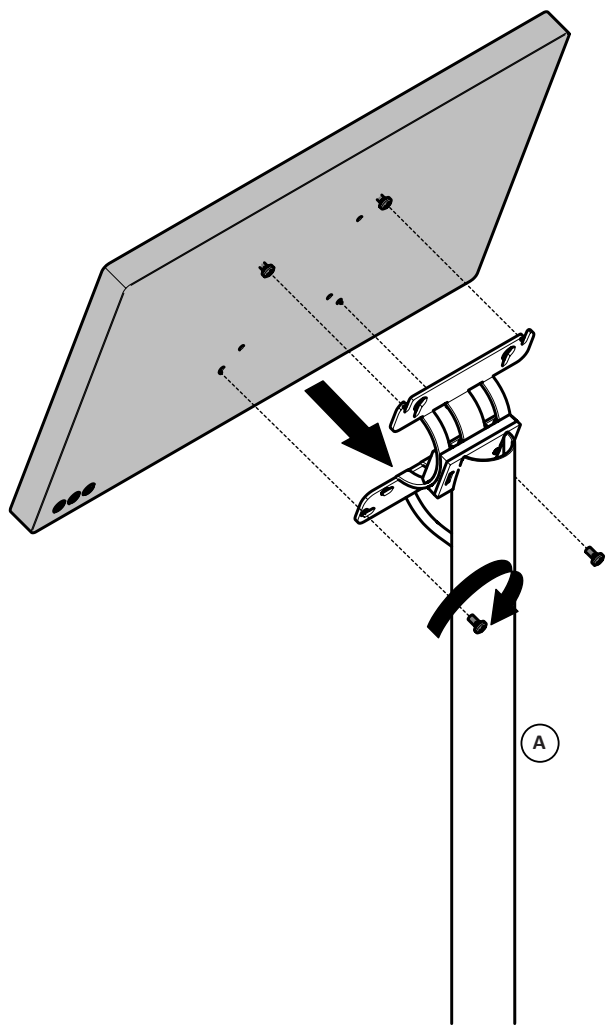
Room for power brick.

Slot for cable management under the floorstand.

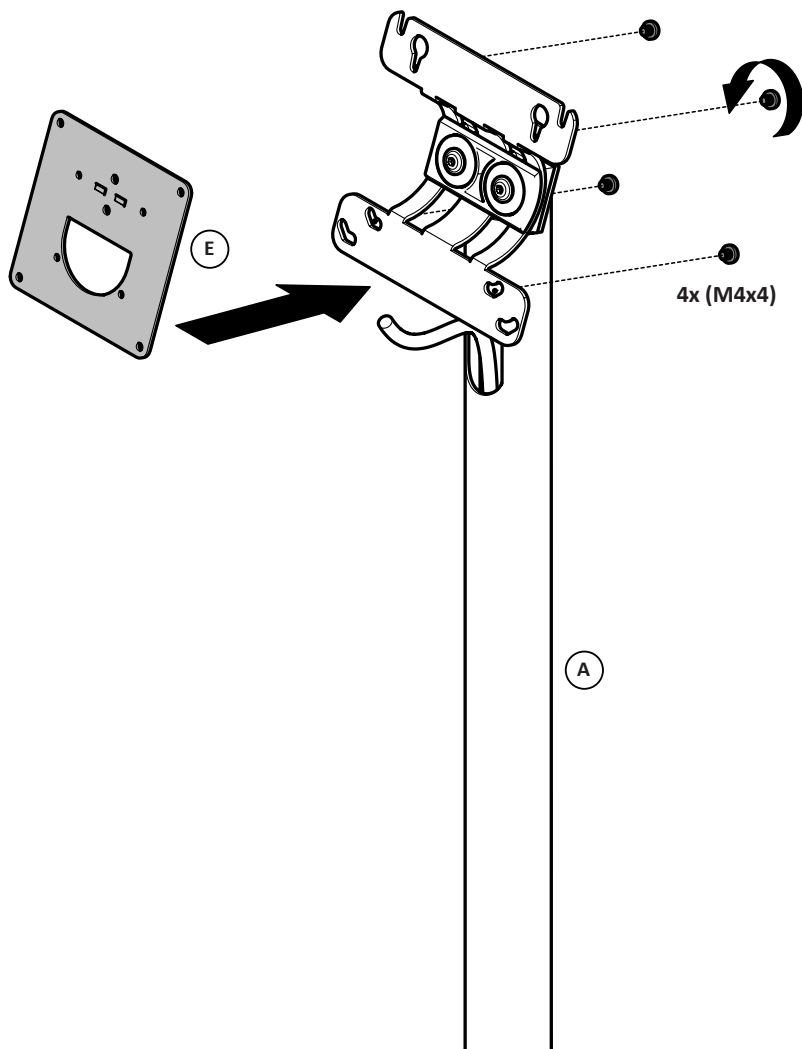
**A7** Prepare screen for installation



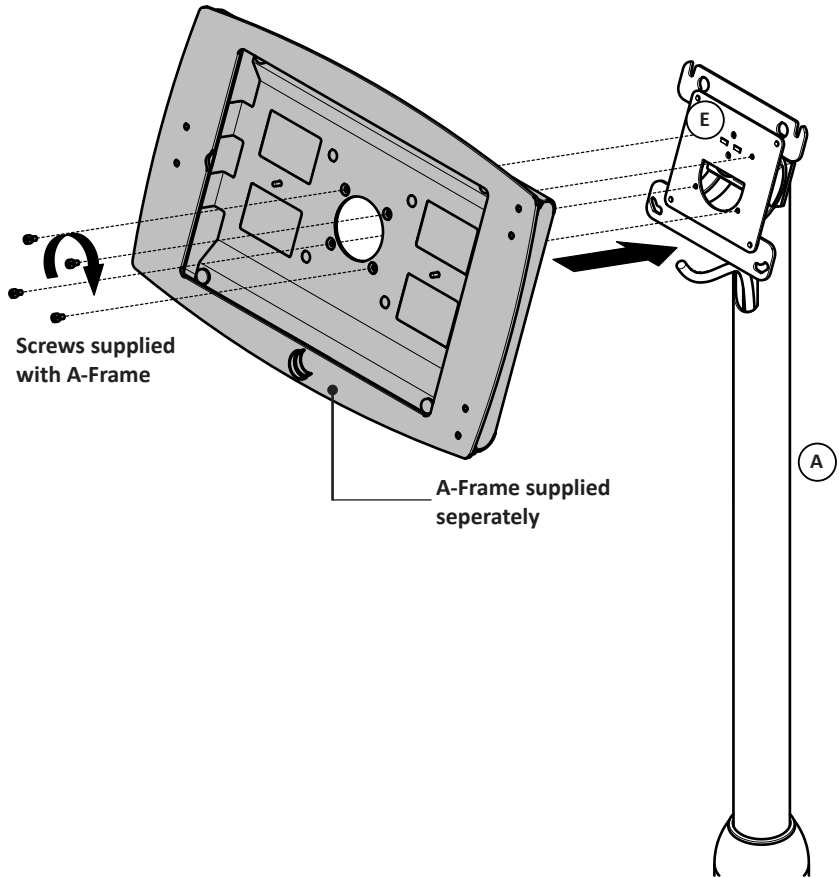
**A8** Mount screen



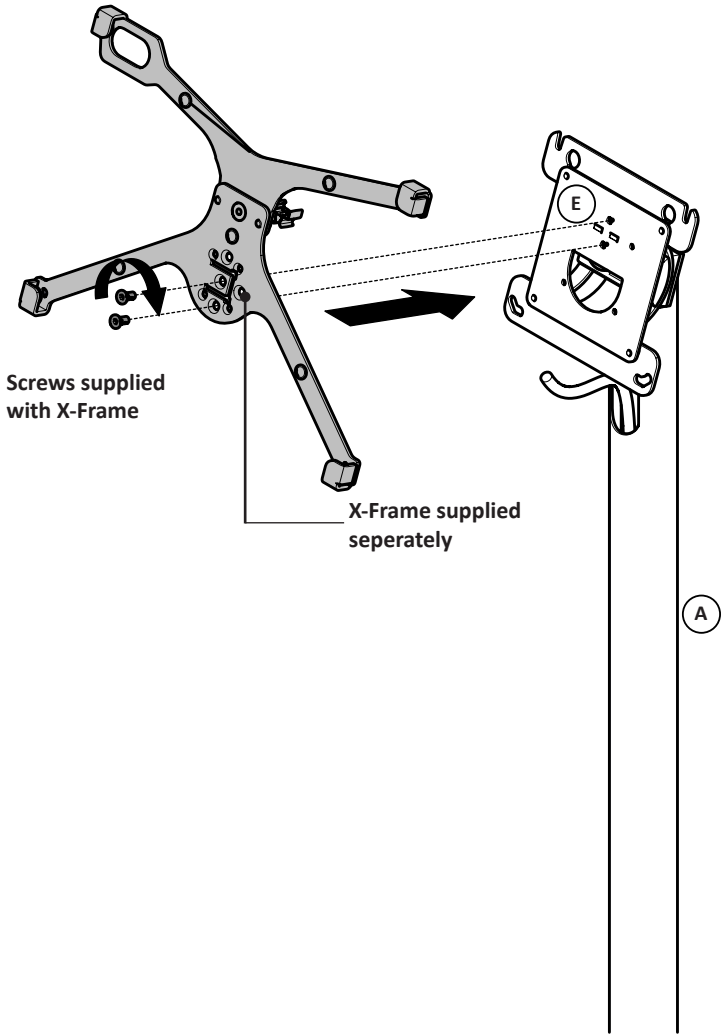
**B7** Mount Adapter bracket(E)



**B8** Mount A-Frame on Adapter bracket

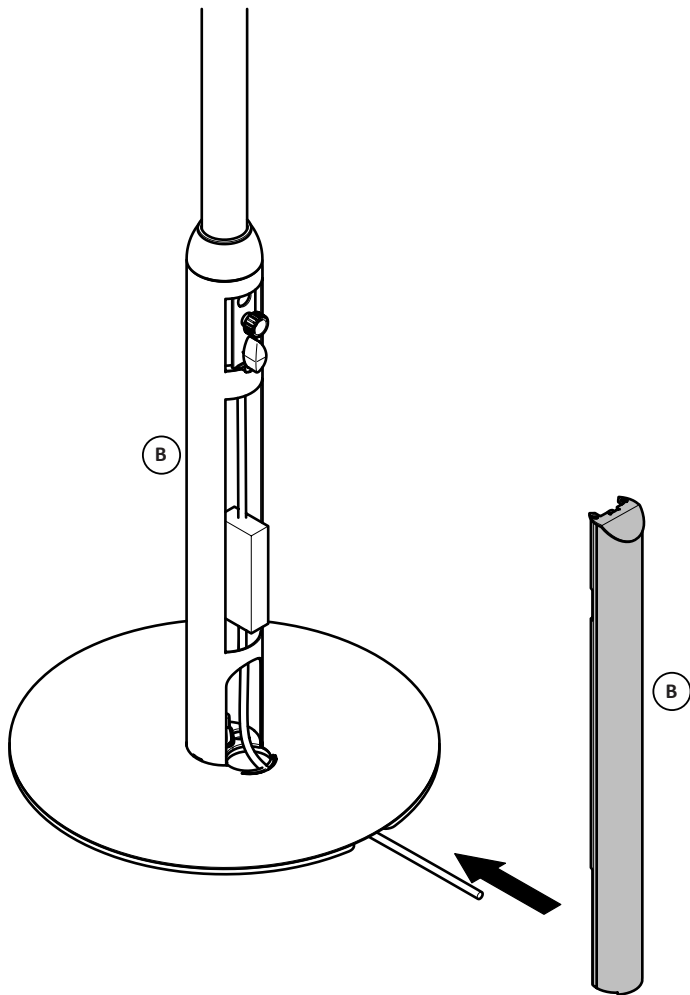


**C8** Mount X-Frame on Adapter bracket



9

Place Cover



Need help? Contact us



 ergonomic<sup>®</sup>  
solutions  
creators of SpacePole



 spacepole<sup>®</sup>  
an ergonomic  
solutions company

[ergonomic.solutions/about/contact-us](http://ergonomic.solutions/about/contact-us)

[spacepole.com/about/contact-us](http://spacepole.com/about/contact-us)